

Turck

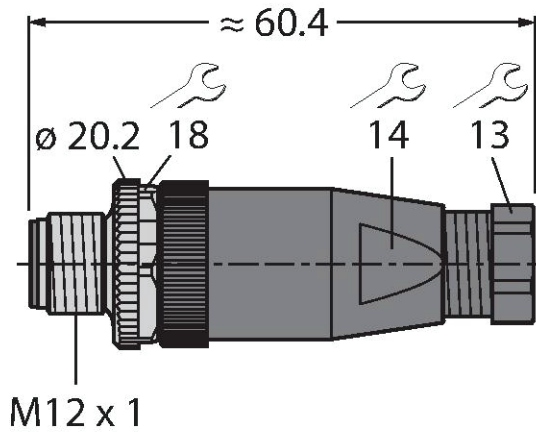
Conectores



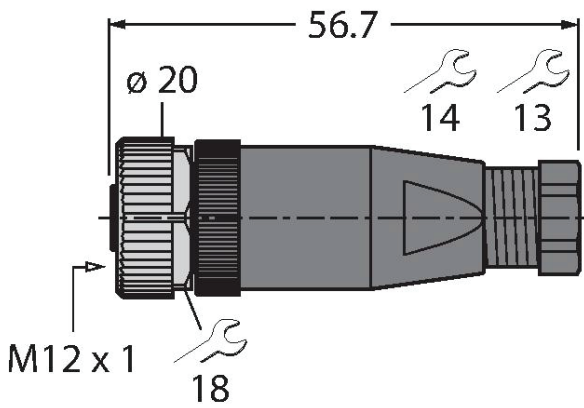
Conectores robustos e compactos

Dimensões (mm)

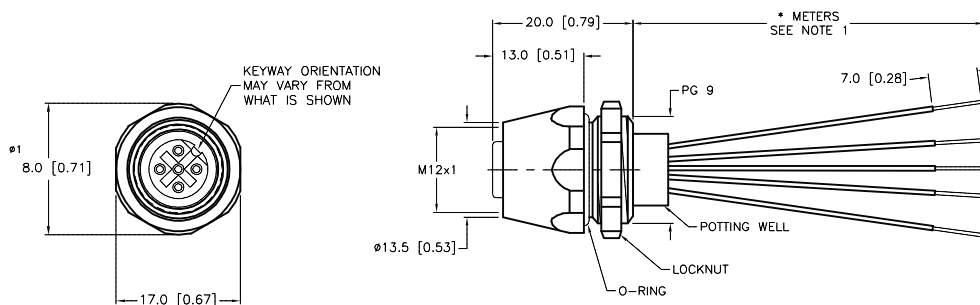
BS8151-0



BM8151-0



FK 4.5-1



Dados técnicos

BM8151-0 | BS8151-0

Type	BM8151-0	BS8151-0
ID	6935888	6904611
Connector A	Female, M12 X1	Male, M12X1
Number of Pins	5	
Contacts	CuZn, Optalloy coating	
Contact carriers	Plastic, PA, Black	
Connector body	Plastic, PA, Black	
Coupling nut/screw	Die-cast Zinc, GD-Zn, Nickel-plated	
Seal	Plastic, FPM/FKM	
Screw-in thread	PG7	
External diameter of the cable	4...6 mm	
Core cross-section/claping ability	0.25...0.75 mm ²	0.14...0.75 mm ²
Connection mode	Screw/clamp connection	
Mechanical lifespan	>50 mating cycles	>100 mating cycles
Protection class	IP67, (screwed together)	
Electrical properties at +20°C		
Rated voltage	60 V	125 V
Current	4 A	
Insulation resistance	>10	
Forward resistance		
Mechanical and chemical properties	< 8m	
Ambient temperature range (stationary)	-40°C ... +85°C	
Approvals	cUlus recognized	

FK 4.5-1

Contact carrier material	Nylon or TPU
Contact carrier/plating	Brass/Gold
Housing, locknut material/plating	Brass/Nickel
O-ring material	Nitrile
Rated current [A]	4.0 A
Rated voltage [V]	250 V
Conductor insulation material	PVC
Number of conductors [AWG]	5x22 AWG
Temperature rating	-40°C to +105°C (-40°F to +221°F)
Protection class	Meets nema 1,3,4,6P and IEC IP68

FK 4.5-1

Cable length	Tolerance
All lengths	+4% (or 50mm) of length -0% (or 0mm) of length Whichever is greater
Strip length	Tolerance
0 - 7mm	+0.5mm
8 - 29mm	+1.0mm
30 - 49mm	+2.0mm
50 - 69mm	+3.0mm
70 - 100mm	+4.0mm
over 100mm	+5.0mm
*Unless otherwise specified	

Códigos Weightech

Nome do Produto	Código
Conector Circular Turck BM8151-0 M12x1 Cabo 5 Pinos Femea	505811
Conector Circular Turck BS8151-0 M12x1 Cabo 5 Pinos Macho	505693
Conector Circular Turck FK 4.5-1 M12x1 Painel 5 Pinos Femea	505812